



700TK series Slew drives

Slew drives for excavator duty.

The 700TK series is the compact and yet powerful package for the slew drive of excavators up to approx. 20 ton class. The units are powered by integrated axial piston

hydraulic motors, developed in cooperation with KAYABA and can be accommodated within the smallest space. Wide choice of drive pinions, standard or to customer specs.



Type	Torque [Nm]
700 T1 K-27	750
701 T2 K-27	1200
703 T2 K-27	2000
705 T2 K-44	4000
706 T2 K-63	6000
706 T2 K-85	7000
707 T2 K-85	9000



Torque Range
750 ... 9000 Nm

Excavator weight
1.5 to 20 ton.

Gear Ratios
7 ... 40

Key Features

- Flange mounted
- Output shaft with integral pinion
- Rugged construction
- High torque capacity

Output shafts supported by heavy duty bearings
Compact design

Hydraulic motors

KAYABA hydraulic motor fixed displacement complete with shockless type pressure relief valve

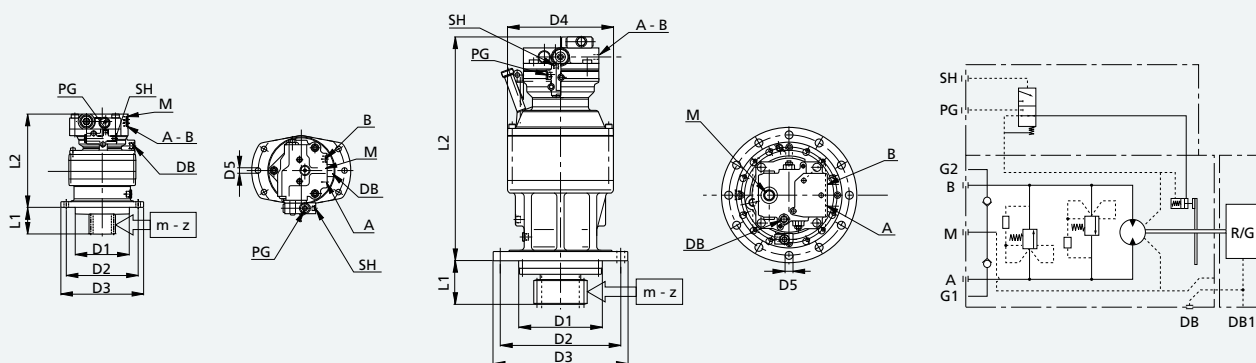
Motor options

Anti swing-back valve

Brake

Hydraulically released failsafe parking brake
Brake retarder valve on request

Type	Motor displacement	Max. pressure	Max. flow	Parking brake		Range of ratio	Approx. weight of machine
				Yes	No		
	cm	bar	l/min			1:	ton
700 T1 K - 27	27.4	210	18	•	•	8.2	1.5 - 2.5
701 T2 K - 27	27.4	210	30	•	•	13.7-20.8	3 - 4
703 T2 K - 27	27.4	250	50	•	•	14.8-35.6	5 - 6
705 T2 K - 44	44.1	280	80	•		18-26.3	7 - 8
706 T2 K - 63	62.9	280	120	•		15.3-33	9 - 10
706 T2 K - 85	87.3	320	160	•		15.3-22.6	11 - 13
707 T2 K - 85	87.3	320	160	•		14.7-22.3	15 - 18



Type	D1	D2	D3	D4	D5	L1	L2	A-B	DB	M	SH	PG	m	z
700 T1 K - 27	-	228	260	186	∅ 13 n°6	76	221	MAIN PORT	DRAIN PORT	ANTICAVITATION PORT	SPOOL OPERATING PORT	BRAKE RELEASE PORT	Module / number of teeth of pinion UPON REQUEST	
701 T2 K - 27	175	228	260	186	∅ 13 n°6	86	256							
703 T2 K - 27	175	245	272	244	∅ 18 n°10	120	330							
705 T2 K - 44	230	245	272	244	∅ 18 n°10	120	420							
706 T2 K - 63	230	332	372	292	∅ 22 n°10	150	580							
706 T2 K - 85	270	332	372	292	∅ 22 n°10	150	615							
707 T2 K - 85	-	360	410	348	∅ 22 n°12	160	580							