



500 series Transit mixer drives

When you cannot afford any down time, then quality is the top priority.

Absolute dependability, low maintenance, compactness and price effectiveness are the key features of the renovated 500 series, the unparalleled line of drives for transit mixers. Eight models available for mixing capacity ranging from 1 to 12 m³.



| Type | Torque [Nm] |
|------|-------------|
| 501 | 3000 |
| 564 | 12000 |
| 565 | 12000 |
| 567 | 20000 |
| 568 | 20000 |
| 575 | 50000 |
| 577 | 60000 |
| 580 | 75000 |



Torque Range

3000 ... 75000 Nm

Truck mixer capacity

1 to 12 cubic meters

Gear Ratios

17 ... 161

Key Features

Rotating housing flange

Rugged design

High torque capacity

High load capacity

Tilting output flange, evenly in all directions

Mounting frame for water tank

Water pump P.T.O.

Speed sensor

Applicable hydraulic motors

Axial piston motors to SAE Standard orbit motors

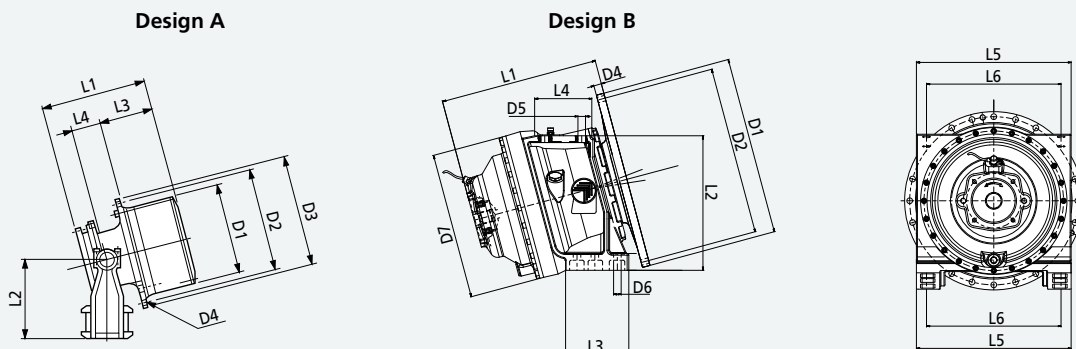
| Type | Range of ratios | Hydraulic motor drive | Max. input speed | Drum capacity | Weight | Oil quantity | Design | Water pump P.T.O. | Speed sensor |
|------|-----------------|-----------------------|------------------|---------------|--------|--------------|--------|-------------------|--------------|
| | 1: | (1) | min -1 | (2) | Kg | L | | | |
| 501 | 17-23-29 | LS | 550 | 0.5 - 1 | 45 | 1.5 | A | - | - |
| 564 | 78-161 | HS | 2500 | 2 - 3 | 85 | 2 | A | - | - |
| 565 | 22 | LS | 550 | 2 - 3 | 70 | 1.5 | A | - | - |
| 567 | 76-90-115-128 | HS | 2500 | 4 - 5 | 140 | 3 | A | - | - |
| 568 | 18-21-27 | LS | 550 | 4 - 5 | 130 | 2.5 | A | - | - |
| 575 | 99.3-102-141 | HS | 3000 | 6 - 8 | 250 | 7 | B | • | • |
| 577 | 131 | HS | 3000 | 8 - 10 | 290 | 8.5 | B | • | • |
| 580 | 130-135-140 | HS | 3000 | 10 - 12 | 320 | 10 | B | • | • |

(1) LS = Low speed motor, HS = High speed motor

(2) General indication, application capacity depend on concrete slump

- = Not available

• = Available



| Type | D1 | D2 | D3 | D4 | D5 | D6 | D7 | L1 | L2 | L3 | L4 | L5 | L6 |
|------|-----|-----|-----|---------|--------|--------|-----|-----|-----|-----|-----|-----|-----|
| 501 | 200 | 222 | 245 | 13 n°4 | - | - | - | 270 | 195 | 138 | 89 | - | - |
| 564 | 280 | 310 | 340 | 17 n°10 | - | - | - | 365 | 240 | 165 | 85 | - | - |
| 565 | 280 | 310 | 340 | 17 n°10 | - | - | - | 290 | 240 | 165 | 85 | - | - |
| 567 | 358 | 390 | 430 | 17 n°18 | - | - | - | 435 | 300 | 210 | 110 | - | - |
| 568 | 358 | 390 | 430 | 17 n°18 | - | - | - | 360 | 300 | 210 | 110 | - | - |
| 575 | 530 | 500 | - | 17 n°24 | 22 n°4 | 22 n°6 | 435 | 450 | 400 | 188 | 170 | 460 | 400 |
| 577 | 530 | 500 | - | 17 n°24 | 22 n°4 | 22 n°6 | 435 | 450 | 400 | 188 | 170 | 460 | 400 |
| 580 | 530 | 500 | - | 17 n°24 | 22 n°4 | 22 n°6 | 435 | 525 | 400 | 188 | 170 | 460 | 400 |